

1

2

3

4

A

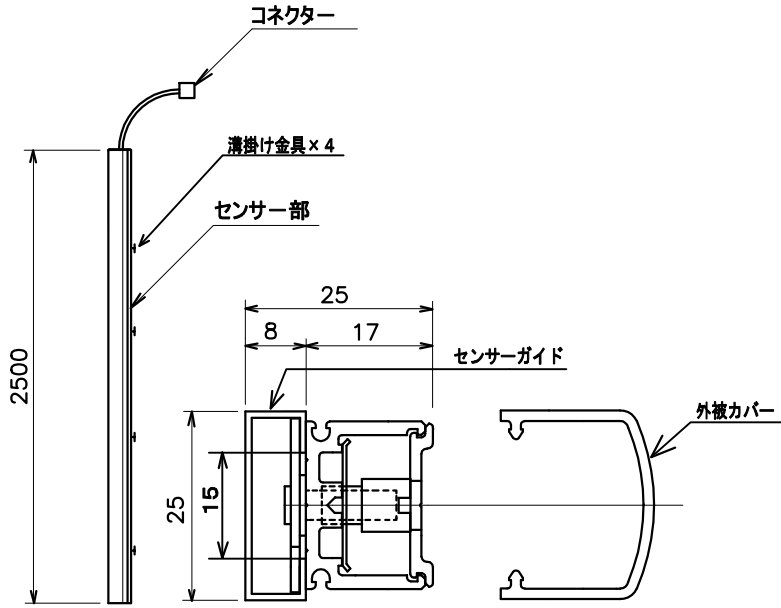
B

C

D

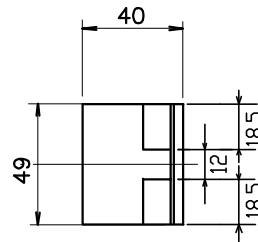
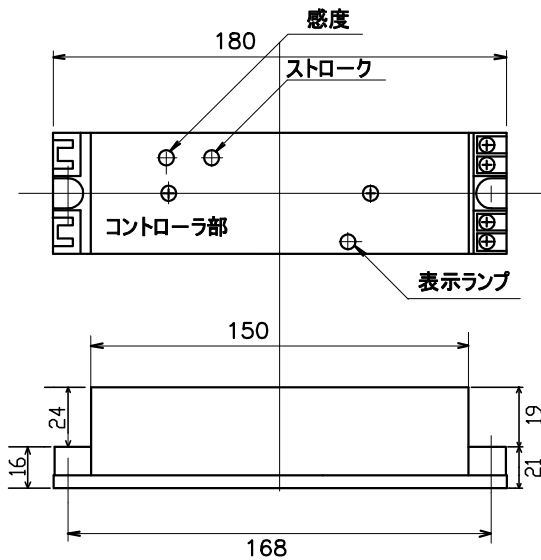
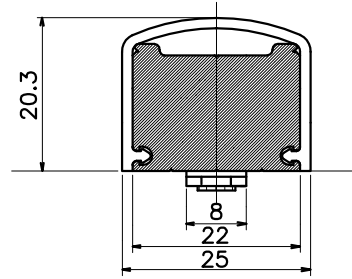
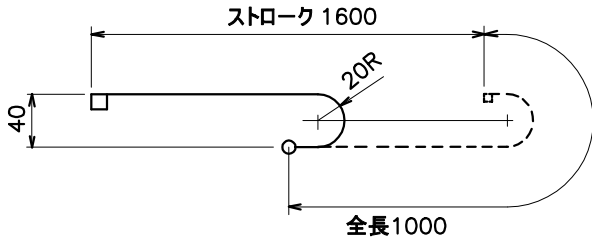
E

F



センサー断面図

給電金具Rリボン



SCALE

KANAGAWA



JAPAN

TSUDEN CO., LTD.

TITLE

エッジセンサー外形図

SHEET

APPROVED BY

CHECKED BY

DESIGNED BY

DRAWN BY

DRAWING NO.

DATE